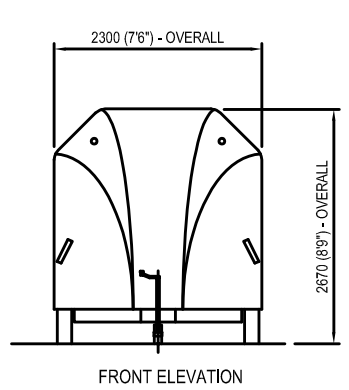


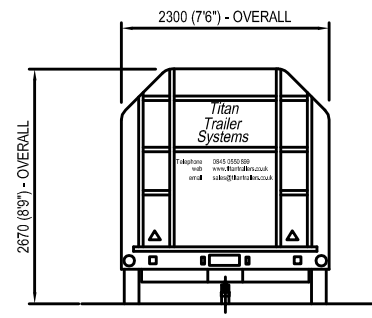
COLOUR OPTIONS	RAL
FRONT AERODYNAMIC PANEL	
SIDE SKIRT	
CURTAINING	



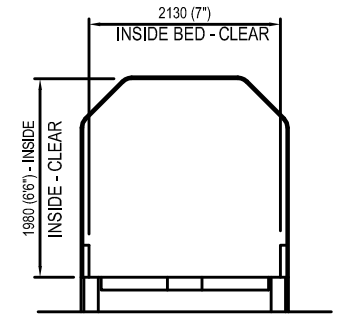
FRONT ELEVATION



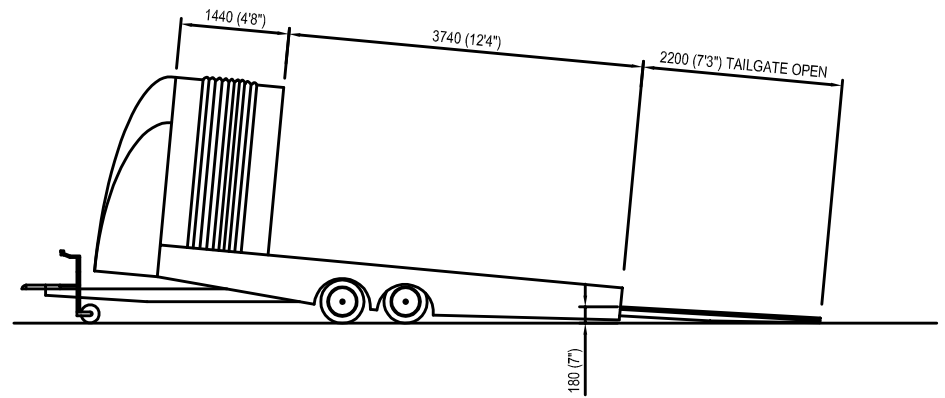
SIDE ELEVATION WITH CANOPY CLOSED



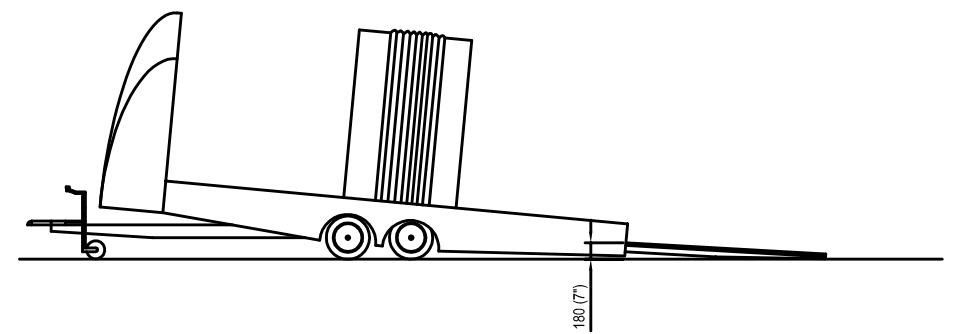
REAR ELEVATION (TAILGATE CLOSED)



REAR ELEVATION (TAILGATE OPEN)



SIDE ELEVATION WITH CANOPY OPEN (CAN BE OPENED EACH END) & TRAILER TILTED



CANOPY CAN BE LOCATED IN ANY POSITION

TITAN TRAILER SYSTEMS		Unit 6, Lakeside Industrial Estate		Tel: 0845 055 0899	
		Beasley Road East, Redditch, B96 0PE		Fax: 01527 40002	
Title: DETAIL OF CHALLENGER 1 TRAILER					
Client:				Project No.:	
drawn	Date	Name	Drawing No. C1/D1		
approved	JAN 07	R.K.	Scale		

This drawing including any patented or patentable features embodies confidential information of the company and its use does not permit the user to reproduce the drawing in whole or in part, nor to use the drawing or material described therein for any purpose other than that specifically permitted in writing by the company.