

# A400 Series Landing Gear



## Design Features

- Internal gearbox protects gears and prevents shaft misalignment.
- Cover and bushings sealed to keep moisture out.
- Double "D" style shaft allows crank force to go directly into the gearbox, not torquing the bolt.
- 10 bolt mounting pattern adds mounting rigidity.
- Reinforcing strap at the bottom of the upper housing for added strength.
- Austempered ductile iron gears will not wear out.

## Capacities & Ratings

Maximum Static Load Rating\*  
160,000 lbs

Rated Lift Capacity\*\*:  
55,000

Side Load Capacity\*:  
29,000 per set

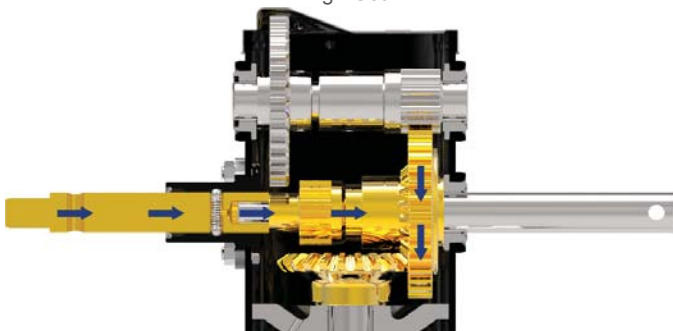
\*When properly braced on a trailer.

\*\*With 100ft-lbs input torque.

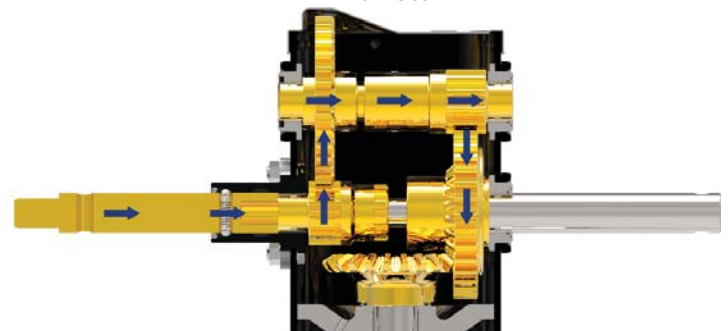
## Gear Ratio

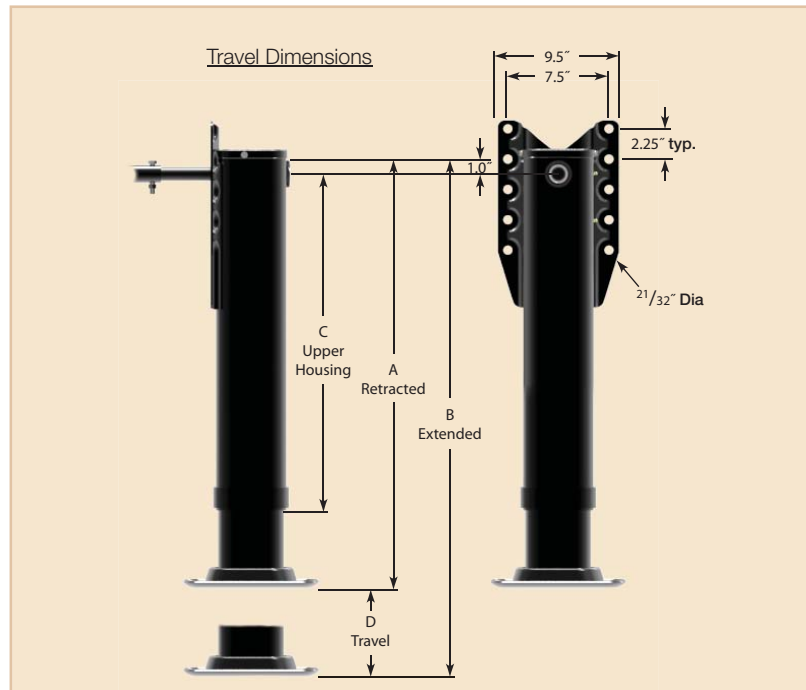
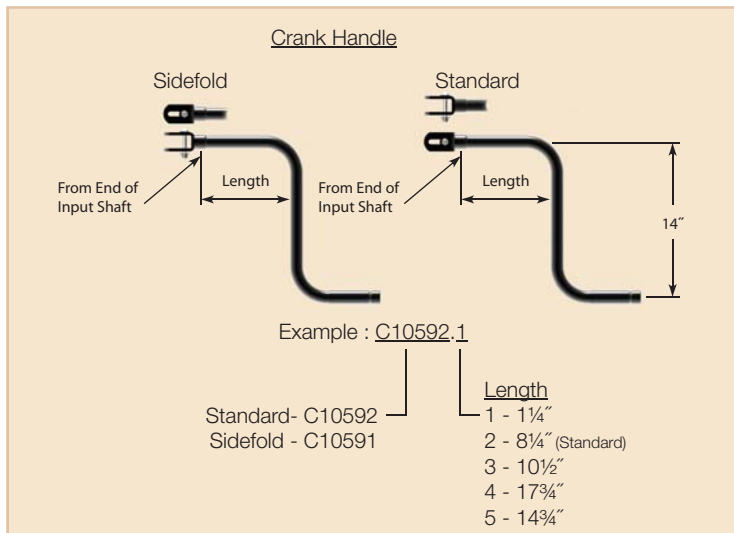
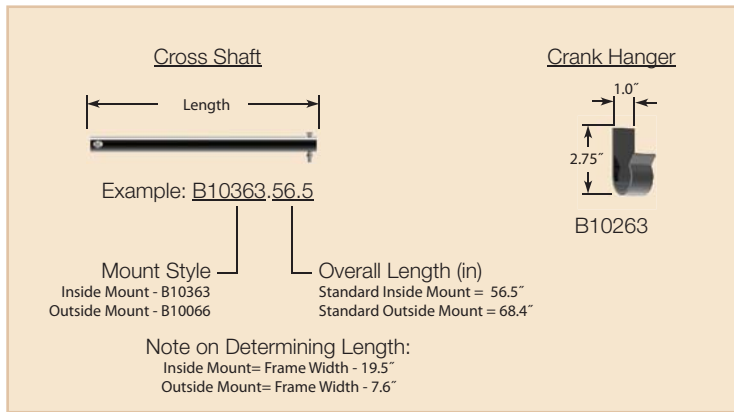
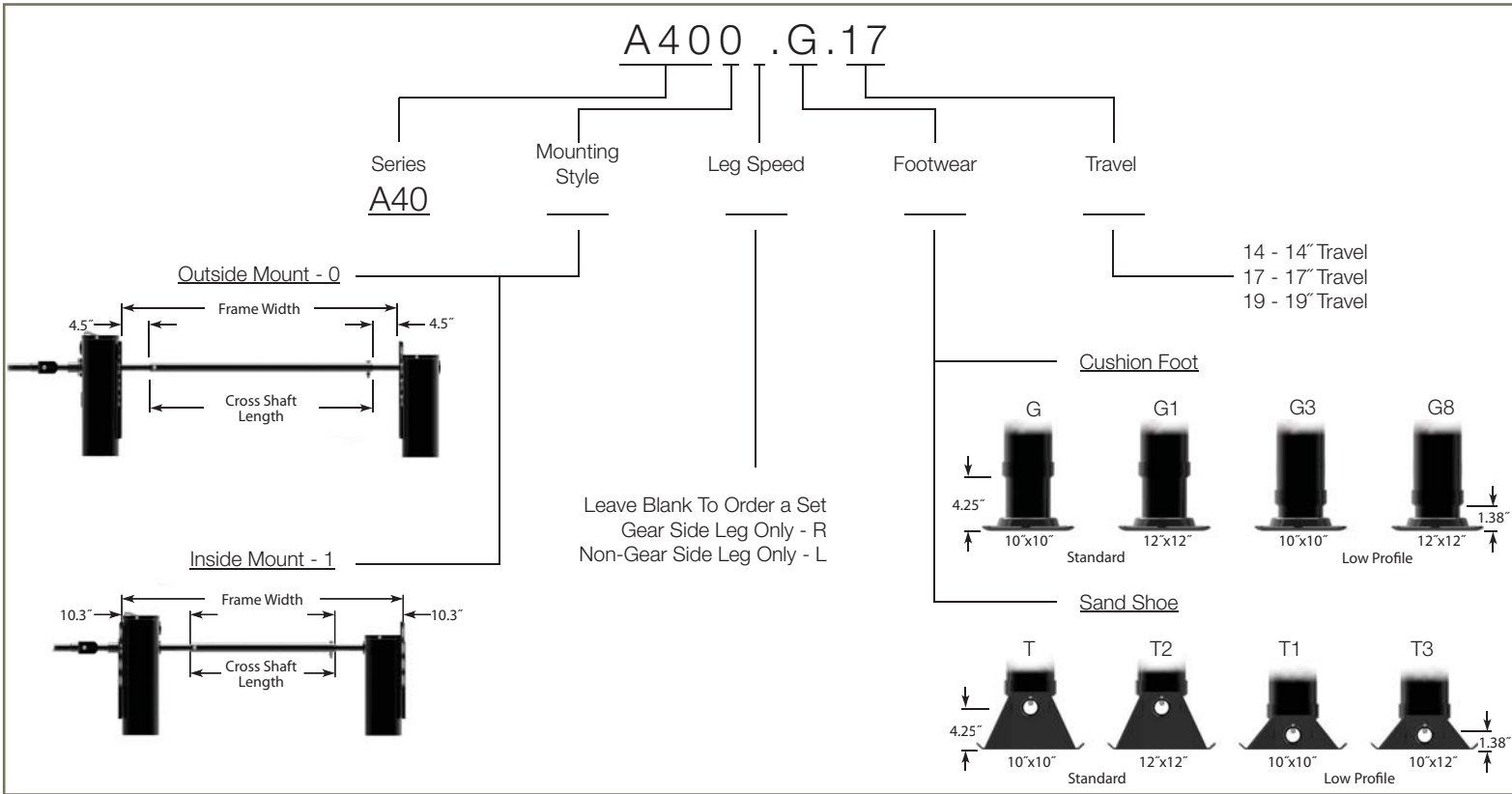
Low Gear: 32 Turns = 1" Travel  
High Gear: 3.5 Turns = 1" Travel

High Gear



Low Gear





D Travel	Shoe Style						C Upper Hsg.
	T, T2, G, G1		T1, T3		G1, G3, G8		
	Extended	Retracted	Extended	Retracted	Extended	Retracted	
14	42 5/8"	28 5/8"	40 1/8"	26 1/8"	39 3/4"	25 3/4"	21 15/16"
17	48 5/8"	31 5/8"	46 1/8"	29 1/8"	45 3/4"	28 3/4"	24 15/16"
19	52 5/8"	33 5/8"	50 1/8"	31 1/8"	49 3/4"	30 3/4"	26 15/16"

# JOST International Landing Gear Warranty

## *JOST Model A400/A401 Landing Gear 5 Year Manufacturer's Warranty*



JOST International Corporation (hereafter called "JOST") warrants its Landing Gear to be free of defects in material and workmanship under normal use and service, exclusive of normal wear for a period of five years from the date of sale or date of manufacture of the vehicle.

### **EXCLUSIONS:**

This warranty is valid for the first purchaser only. It shall not apply to any Landing Gear which are improperly installed and maintained\*, have been subject to misuse, negligence, modification or accident, or have been repaired or modified in such a way as to adversely affect their performance. This warranty is not valid if modifications or repairs are not approved by JOST in advance.

### **PURCHASER'S REMEDY:**

JOST's sole obligation under this warranty will be to repair or replace, at its option, any unit or part which shall be returned to JOST or a JOST authorized facility and which examination shall disclose to JOST's satisfaction to have been defective. Freight or other transportation cost to and from JOST or a JOST authorized facility must be paid by the purchaser. JOST will not assume any charges for repairs without prior authorization.



### **EXCLUSION OF OTHER WARRANTIES:**

No other expressed or implied warranty is made by JOST, and in particular JOST makes **NO WARRANTY OF MERCHANTABILITY OR FITNESS FOR ANY PARTICULAR PURPOSE.**

### **LIMITATION OF ACTIONS:**

Without extending the period of warranty stated above, any action for breach of warranty must be commenced within one year of the breach claimed or be forever barred.

### **LIMITATION OF DAMAGES:**

The purchaser's remedy stated above shall be exclusive for any and all claims against JOST whether based on contract, negligence, tort or any other theory. In no event shall JOST be liable for any consequential damages, including without limitation vehicle downtime and cargo loss, which may result from any defect or failure of the Landing Gear.

\*Contact JOST International for maintenance requirements.

JOST International  
1770 Hayes St. Grand Haven, MI 49417  
Tel: 800-253-5105 / Fax: 616-846-0310